



TECHNICAL SERVICE BULLETIN

REF.: BODY
NO.: BO009-96
DATE: OCTOBER 25, 1996
MODEL: ALL MODELS

SEAT BELT EXTENDER FOR 1993 THROUGH 1997 MODELS

Page 1 of 9

Toyota customers who find it necessary to increase the length of their seat belts may obtain Seat Belt Extenders at no cost through their local Toyota dealer.

- The extender is available in black only, in 6, 9, 12, 15 and 18 inch lengths.
- Owner's are informed of the seat belt extender availability through the Toyota Owner's Manual included in each vehicle.

The customer (*individual requiring the extender*) must visit a Toyota Dealership to have the required measurements made and to complete the seat belt extender worksheet. The worksheet will allow the proper fitting and selection of a seat belt extender for the customer. The dealership personnel should then determine the applicable part number and place a *Critical Order* through the *TDN Parts Network*.

Included in this bulletin is the information covering the 1993 through 1997 model years:

Contents	Pages
Procedure & Flow Chart	2
Application Charts & Notes	3
Part Number Information	6
Owner Instruction Sheet	7
Statement from Owner's Manual	8
Seat Belt Extender Worksheet	9

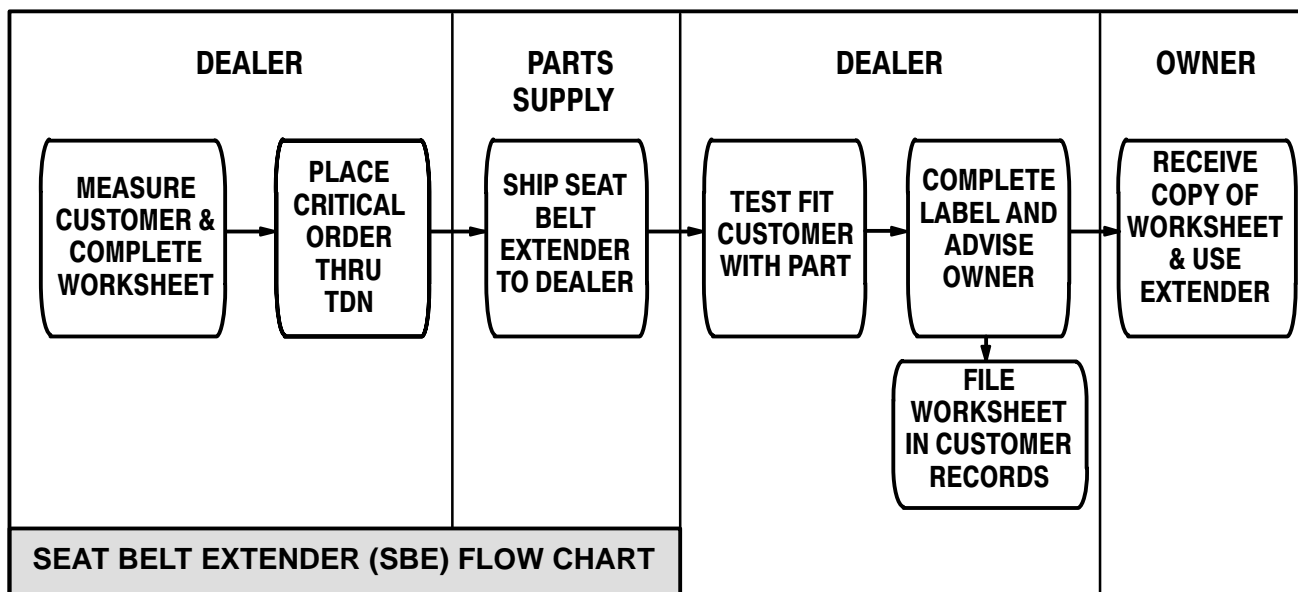
The dealership service department should complete the affixed Seat Belt Extender Label and review the "owner instruction sheet" with the customer. The dealership should give a copy of the completed worksheet to the customer and keep the original in the customer's file.

To assure utmost owner satisfaction, it is recommended that a dealership designate one person to coordinate all activities related to the seat belt extender issue.

From past sales history, it is recommended that dealerships **do not** stock seat belt extenders due to low demand and the need for customer fitting.

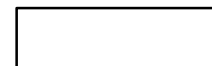
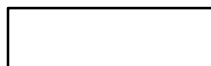
PROCEDURE:

1. Owner requests a seat belt extender from the dealer.
2. Dealer verifies the need for a seat belt extender and obtains a current copy of TSB and copies the worksheet.
3. Dealer measures the customer and completes the worksheet. Dealer determines the correct part number and places a Critical Order for the part through the TDN Parts Network.
4. Dealer receives the seat belt extender and calls the customer in to check fit of the part.
5. If the seat belt extender fit is OK, dealership personnel completes the customer information label on the part, explains usage of the part and gives the customer a copy of the completed worksheet.
6. Dealer places a copy of the completed worksheet in the customer's records



SAMPLE SEAT BELT LABEL:

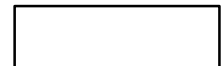
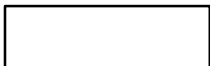
CAUTION
THIS SEAT BELT EXTENDER IS TO BE USED ONLY BY: _____ Customer Name
ON VEHICLE: _____
VIN: _____
SEATING POSITION: _____ Driver Passenger Front Rear
USE BY OTHERS, OR IN ANOTHER SEATING POSITION, OR IN ANOTHER VEHICLE COULD REDUCE SEAT BELT RESTRAINT IN AN ACCIDENT AND RESULT IN PERSONAL INJURY.



FRONT SEAT – EXTENDER APPLICATION TABLE

MODEL	TYPE		'97	'96	'95	'94	'93
RAV 4	RH & LH		K-5	R-5	N/A	N/A	N/A
TERCEL	SDN	RH	R-5	R-5	R-5	R-3* ¹	R-3* ¹
		LH				R-3	R-3
PASEO	RH EXCEPT CONVERTIBLE		R-5	R-5	R-3* ¹	R-3* ¹	R-3* ¹
	LH EXCEPT CONVERTIBLE				R-3	R-3	R-3
	CONVERTIBLE RH & LH		N-6	N/A	N/A	N/A	N/A
COROLLA	4 DOOR	SDN & WGN...JPP W/ TOKAI RIKA* ²	N/A	R-5	R-3	R-3	R-3
		SDN & WGN..JPP W/QSS* ³		Q-4	Q-2	Q-2	
		NAP	Q-4			Q-2	
		4WD WGN..JPP	N/A	N/A	N/A	N/A	R-2* ¹
MR2			N/A	N/A	R-3	R-3	R-3
CELICA	LIFTBACK & COUPE		N-6	N-6	N-3	N-3	N-3
	CONVERTIBLE					N/A	R-3
CAMRY	JPP	TOKAI RIKA* ²	Q-4	Q-2	R-3	R-3	R-3
		QSS* ³			Q-2		
		NAP		Q-2	Q-2		
SUPRA			R-3	R-3	R-3	R-3	R-3
AVALON* ⁴			Q-2	Q-2	Q-2	N/A	N/A
PREVIA			R-5	R-3	R-3	R-3	R-3
TACOMA* ⁴			Q-4	Q-4	Q-4	N/A	N/A
PICKUP* ⁴	REG (STD) CAB	JPP..TOKAI RIKA* ²	N/A	N/A	R-1	R-1	R-1
		JPP..QSS* ³			Q-1	N/A	N/A
		NAP				Q-1	Q-1
		XTRA CAB			R-1	R-1	R-1
T100* ⁴			R-5	R-5	R-5	R-1	R-1
4RUNNER	2 DOOR		N/A	N/A	N/A	N/A	R-1
	4 DOOR		K-5	K-5	K-1	K-1	K-1
LAND CRUISER			R-3	R-3	R-3	R-3	R-3

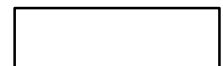
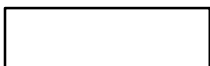
*1, *2, *3, *4 (see "NOTES" on page 5 for detailed information)



REAR SEAT – EXTENDER APPLICATION TABLE

MODEL	TYPE		'97	'96	'95	'94	'93	
RAV 4	TOKAI RIKA* ²		R-5	R-5	N/A	N/A	N/A	
	QSS* ³		Q-4	Q-4				
TERCEL	SDN	TOKAI RIKA* ²	R-5	R-5	R-5	R-3	R-3	
		QSS* ³	Q-4	Q-4				Q-4
PASEO	RH..CONVERTIBLE		N-1	N/A	N/A	N/A	N/A	
	LH..CONVERTIBLE		N-5					
	RH & LH..C/P		R-5	R-5	R-3	R-3	R-3	
COROLLA	4 DOOR	WGN+SDN..JPP W/TOKAI RIKA* ²	N/A	R-5	R-3	R-3	R-3	
		SDN..JPP W/QSS* ³		Q-4	Q-2	Q-2	Q-2	
		WGN..4WD		N/A	N/A	N/A	N-1	
		NAP..TMMC	Q-4	Q-4	Q-2	Q-2	Q-2	
		NAP..NUMMI	A-2	A-2	A-2	A-2	A-2	
CELICA	LIFTBACK & COUPE		N-6	N-6	N-3	N-3	N-3	
	RH..CONVERTIBLE		N-1	N-1	N-1	N/A	N-1	
	LH..CONVERTIBLE		N-5	N-5	N-5		N-5	
CAMRY	JPP	TOKAI RIKA* ²	N/A	R-3	R-3	R-3	R-3	
		QSS* ³	Q-4	Q-2	Q-2	Q-2	N/A	
	SDN							
	NAP	WGN (INCLUDES 3RD SEAT)	N/A					
		C/P						N/A
SUPRA			R-3	R-3	R-3	R-3	R-3	
AVALON			Q-2	Q-2	Q-2	N/A	N/A	
PREVIA			R-5	R-3	R-3	R-3	R-3	
TACOMA	XTRA CAB		K-3	K-3	K-3	N/A	N/A	
COMPACT TRUCK	XTRA CAB		N/A	N/A	R-1	R-1	R-1	
4RUNNER			R-5	R-5	R-1	R-1	R-1	
T100	XTRA CAB		K-4	K-4	K-4	N/A	N/A	
LAND CRUISER			K-4	K-4	K-4	K-4	K-4	

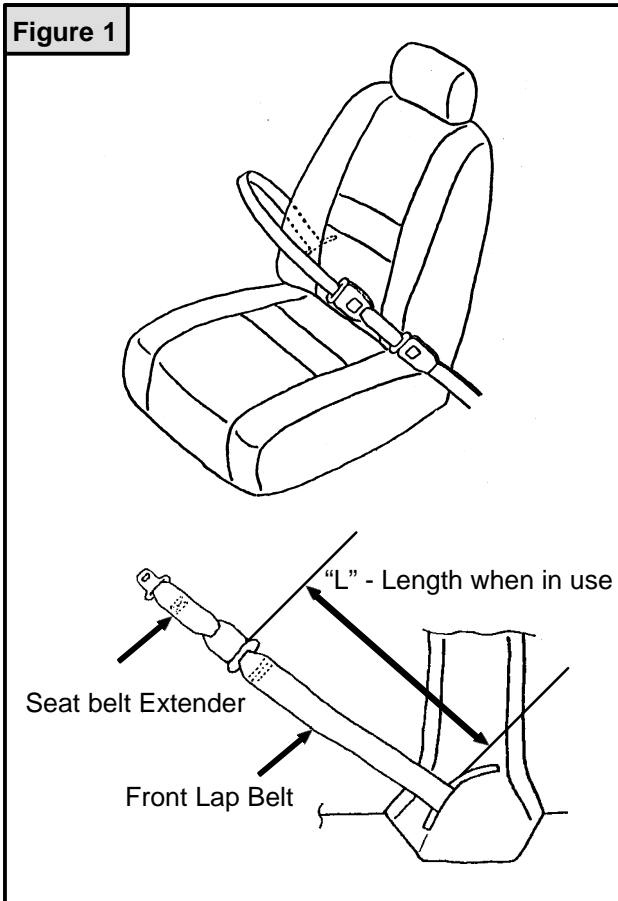
*2 and *3 (see "NOTES" on page 5 for detailed information)



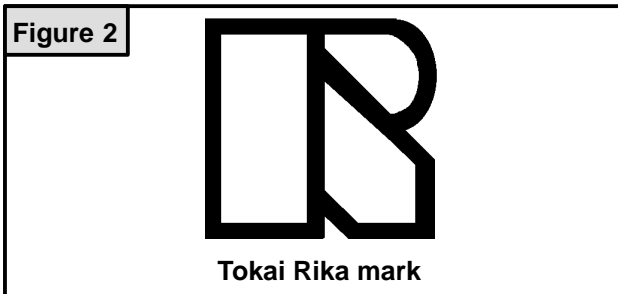
NOTES:

*1. If dimension "L" (figures 1 and 2) is under 24 inches the extender must not be used due to its design and construction. This applies to front lap seat belts for the following models:

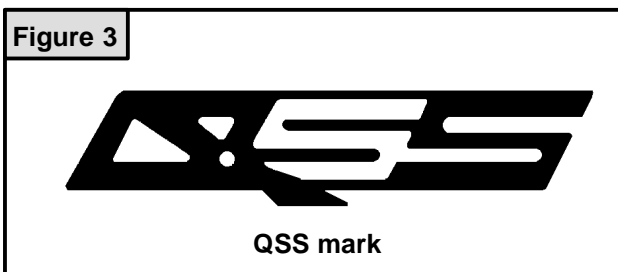
- '93 & '94 Tercel
- '93, '94, '95 Paseo
- '93 Corolla 4WD Wagon



*2. This seat belt was supplied by TOKAI RIKA. Make sure that the identification mark on the back side of the seat belt buckle is the same as shown in figure 2.



*3. This seat belt was supplied by QSS. Make sure that the identification mark on the back side of the seat belt buckle is the same as shown in figure 3.



*4. Extenders must not be used for center front seat belt positions for Avalon, Tacoma, Compact Pickup and T100 with bench seats or for the center rear seat belt positions except for 1997 Camry.

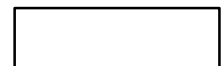
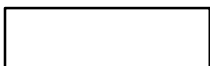


PART NUMBER INFORMATION:

(73399-_____)

Series	Length				
	6"	9"	12"	15"	18"
R-1	-12010	-12020	-12030	-12040	-12050
R-2	-12160	-12170	-12180	-12190	-12200
R-3	-50010	-50020	-50030	-50040	-50050
R-4	-16010	-16020	-16030	-16040	-16050
R-5	-16060	-16070	-16080	-16090	-16100
N-1	-12060	-12070	-12080	-12090	-12100
N-2	-12210	-12220	-12230	-12240	-12250
N-3	-20011	-20021	-20031	-20041	-20051
N-4	-20060	-20070	-20080	-20090	-20100
N-5	-20110	-20120	-20130	-20140	-20150
N-6	-20160	-20170	-20180	-20190	-20200
K-1	-12110	-12120	-12130	-12140	-12150
K-2	-22010	-22020	-22030	-22040	-22050
K-3	-22060	-22070	-22080	-22090	-22100
K-4	-33010	-33020	-33030	-33040	-33050
K-5	-35010	-35020	-35030	-35040	-35050
A-1	-02010	-02020	-02030	-02040	-02050
A-2	-01060 ^{*5}	-01070	-01080	-01090	-01100
Q-1	-02060	-02070	-02080	-02090	-02100
Q-2	-06010	-06020	-06030	-06040	-06050
Q-3	-06060	-06070	-06080	-06090	-06100
Q-4	-0W010	-0W020	-0W030	-0W040	-0W050

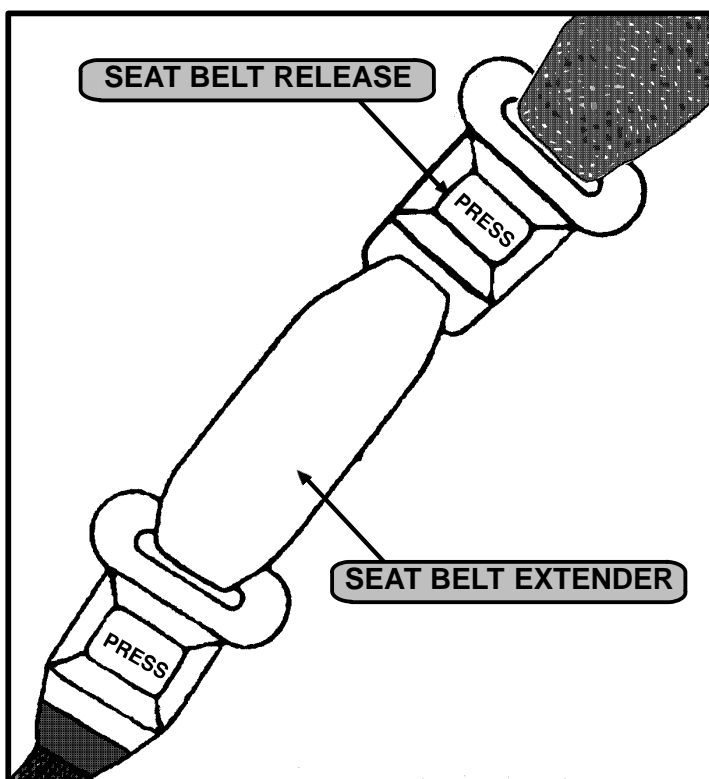
*5 Length: 7¹/₄"



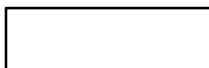
OWNER INSTRUCTION:

Failure to follow the recommendations indicated below could result in less effectiveness of the seat belt restraint system in case of vehicle collision, causing personal injury.

1. The seat belt extender must not be used:
 - (a) By anyone other than for whom it was provided (name recorded on seat belt extender).
 - (b) In any vehicle and/or seat position other than the one for which it is provided.
2. To connect the extender to the seat belt, insert the tab into the seat belt buckle so that the buckle–release buttons of the extender and the seat belt are located on the same side as shown. You will hear a click when the tab locks into the buckle. Make sure that the connection is secure and the seat belt extender is not twisted.
3. When the seat belt extender is provided for rear seat position (with automatic locking retractor), make sure the retractor is locked when in use.
4. When releasing the seat belt, press on the buckle–release button on the extender, not on the seat belt. This helps prevent damage to the vehicle interior and extender itself.



5. When not in use, remove the extender and store in the vehicle for future use.



OWNER'S MANUAL TEXT:**Seat belt extender**

If your seat belt cannot be fastened securely because it is not long enough, a personalized seat belt extender is available from your Toyota dealer free of charge.

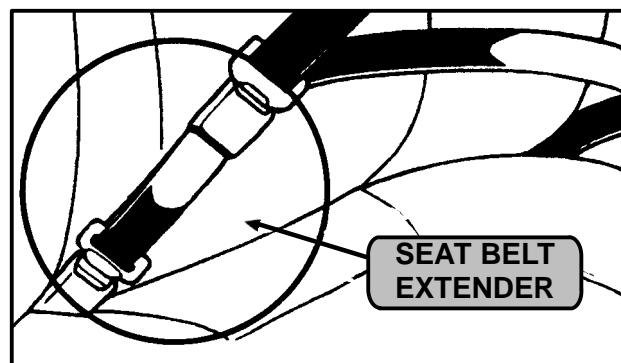
Please contact your local Toyota dealer so that the dealer can order the proper required length for the extender. Bring the heaviest coat you expect to wear for proper measurement and selection of length. Additional ordering information is available at your Toyota dealer.

CAUTION:

When using the seat belt extender, observe the following. Failure to follow these instructions could result in less effectiveness of the seat belt restraint system in case of vehicle accident, increasing the chance of personal injury.

- **Never use the seat belt extender if you can fasten the seat belt without it.**
- **Remember that the extender provided for you may not be safe when used on a different vehicle, or for another person or at a different seating position than the one originally intended for.**

To connect the extender to the seat belt, insert the tab into the seat belt buckle so that the "PRESS" signs on the buckle-release buttons of the extender and the seat belt are both facing outward as shown.



You will hear a click when the tab locks into the buckle.

When releasing the seat belt, press on the buckle-release button on the extender, not on the seat belt. This helps prevent damage to the vehicle interior and extender itself.

When not in use, remove the extender and store in the vehicle for future use.



TOYOTA SEAT BELT EXTENDER WORKSHEET

Please copy this original worksheet for each extender needed.

CAUTION: To minimize the chance and/or severity of injury in an accident, the seat belt extender must not be used:

- By anyone but the person for whom it was provided, and
- In any vehicle or seat specified other than the one for which it was provided, and
- With any car child safety seats.

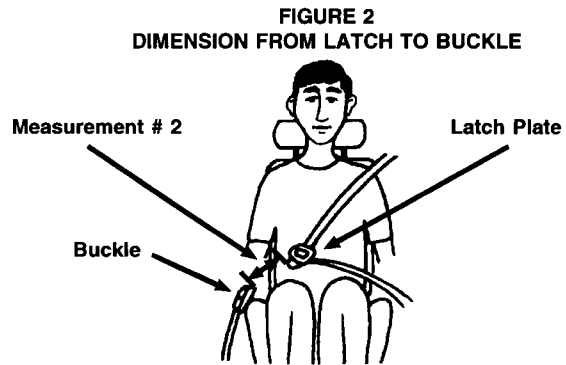
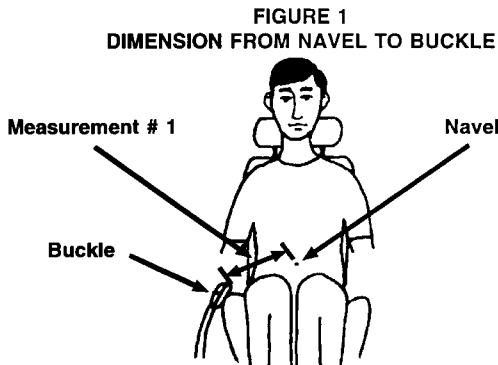
When the seat belt extender is provided for rear seat positions (with automatic locking retractor), make sure the retractor is locked when in use.

In all cases seat belts must be worn below the abdomen by pregnant women.

DEALER		PLEASE PRINT CLEARLY			APPLICANT	
DEALER CODE	DEALER NAME	APPLICANT NAME				
ADDRESS			ADDRESS			
CITY AND STATE		ZIP CODE	CITY AND STATE		ZIP CODE	TELEPHONE
DEALER EMPLOYEE NAME	MODEL YEAR	BODY TYPE	SEAT POSITION F / R	VEHICLE IDENTIFICATION NUMBER		

DIRECTIONS FOR DETERMINING PROPER EXTENDER LENGTH

1. Place the seat in the position the person normally uses.
2. With the person in the seat, extend the seat belt as much as possible and see if the belt latches.
3. If the buckle latches but has no slack remaining, the dimension for Figure 2 is zero. If the seat belt does not latch, measure the distance from the seat belt latch edge to the seat belt buckle as shown in Figure 2 below, and note the dimension.
4. Measure the lap area directly below the navel to the edge of the buckle as shown in Figure 1 and note the dimension.
5. The difference between Figure 1 and Figure 2 measurements is the "Allowable Margin". (Do not use this dimension for the extender length.)
6. Take the measurement in Figure 2 and round it up to the next extender size available, without exceeding the "Allowable Margin".



Measurement #1 (Figure 1) - Measurement #2 (Figure 2) = "Allowable Margin"

NOTE: The length of the extender must not exceed the "Allowable Margin", due to design and construction features

AUTHORIZATION

The same extender can be used for right and left seating applications. Each seat belt extender will be affixed with a label identifying the owner, vehicle VIN and seating position. Extenders are available in one color only.

APPLICANT'S SIGNATURE
(Actual user of seat belt extender)

DATE

