



TECHNICAL SERVICE BULLETIN

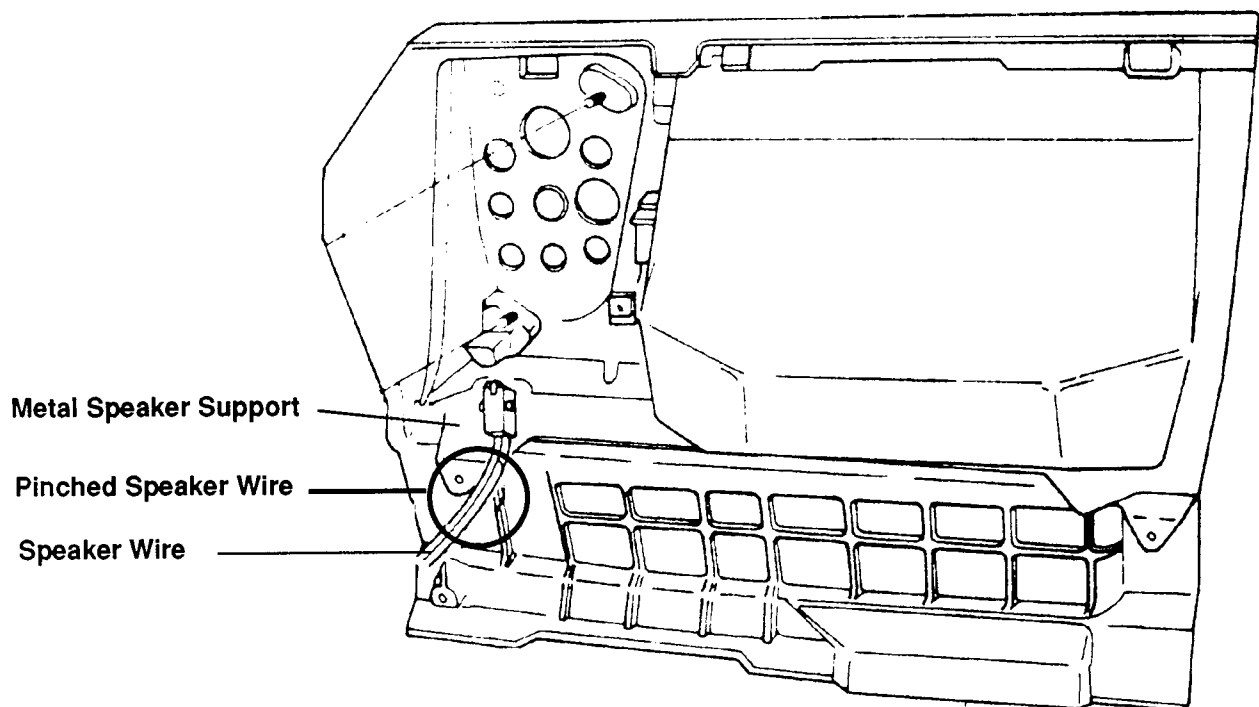
REF.: AUDIO
NO.: AU91-005
DATE: DECEMBER 27, 1991
MODEL: AE

'90 – '92 COROLLA SEDAN & WAGON FRONT SPEAKERS INOPERATIVE

Page 1 of 1

Right front speaker or both front speakers may become intermittently inoperative on '90-'92 Corollas due to a pinched wire near the glove box area as shown below:

GLOVE BOX (REAR VIEW)



CAUTION: This wire may get pinched during installation of Front Right Speaker.

Both front speakers may be affected because of the protection circuit inside the radio. Once the wire is repaired, the protection circuit will automatically reset allowing normal operation of the radio.

SERVICE PROCEDURE:

Repair or replace the damaged wire according to the Wire Harness Repair Manual.

TOYOTA MOTOR SALES U.S.A., INC.