

TOYOTA

SERVICE BULLETIN

TOYOTA MOTOR SALES, U.S.A., INC.

VOLUME

9

HEATING AND
AIR CONDITIONING

REFERENCE _____

NUMBER 006

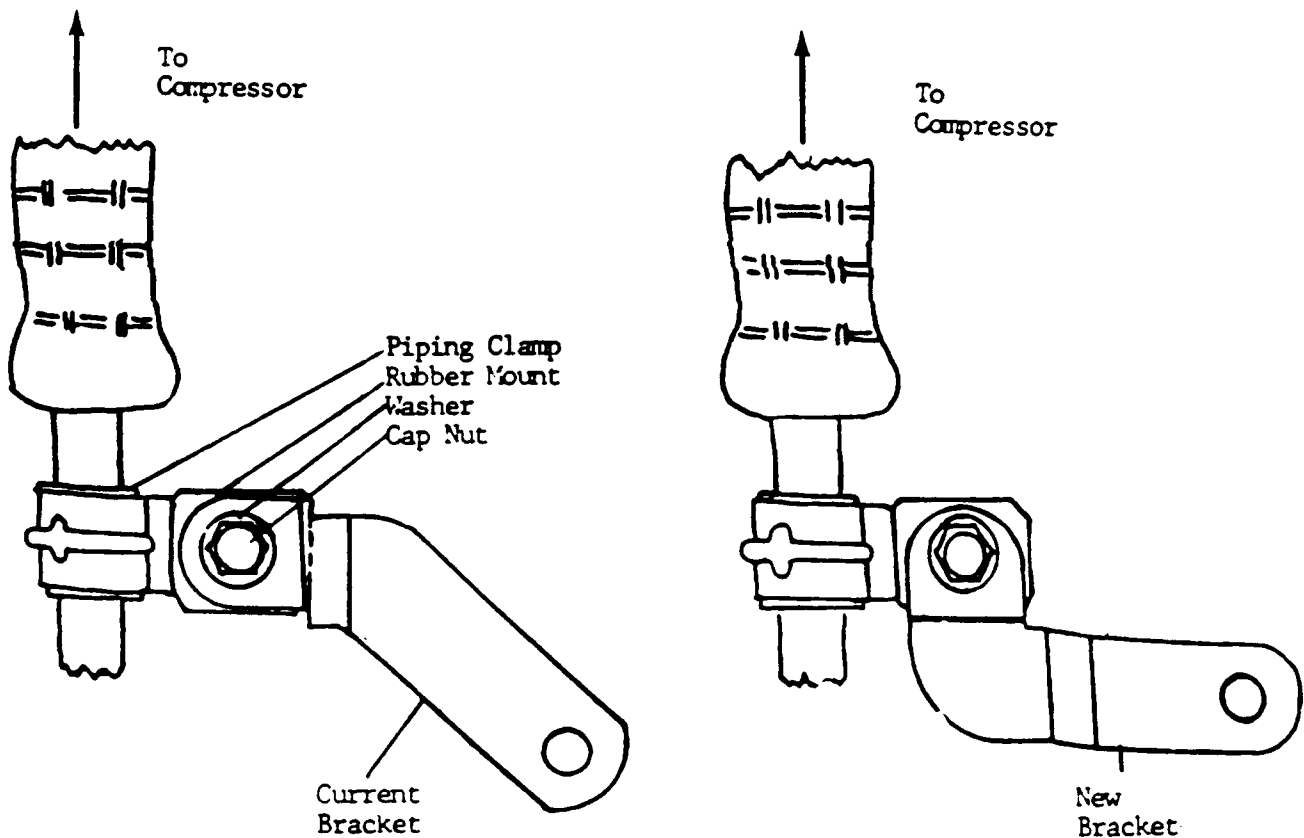
DATE 04-01-88

MODEL AE

Page 1 of 1

1988 COROLLA (4A-F ENGINE) DISCHARGE HOSE BRACKET CHANGE

The bracket which secures the discharge hose to the radiator side baffle has been changed for easier installation. The current and new bracket is shown below.



CURRENT

NEW

REAR VIEW

NOTE: Make sure the cap nut is installed next to the engine harness side to allow for adequate clearance.