

TOYOTA

SERVICE BULLETIN

TOYOTA MOTOR SALES, U.S.A., INC.

VOLUME

9

REFERENCE ELECTRICAL

NUMBER 002

DATE 06-19-87

MODEL AW

Page 1 of 3

1986 MR2 ELECTRICAL WIRING DIAGRAM CONNECTIONS

The 1986 radio and horn electrical wiring diagram has been revised. The wire color codes are incorrect in the 1986 MR2 repair manual and the 1986 MR2 wiring diagram manual. Refer to the following sections:

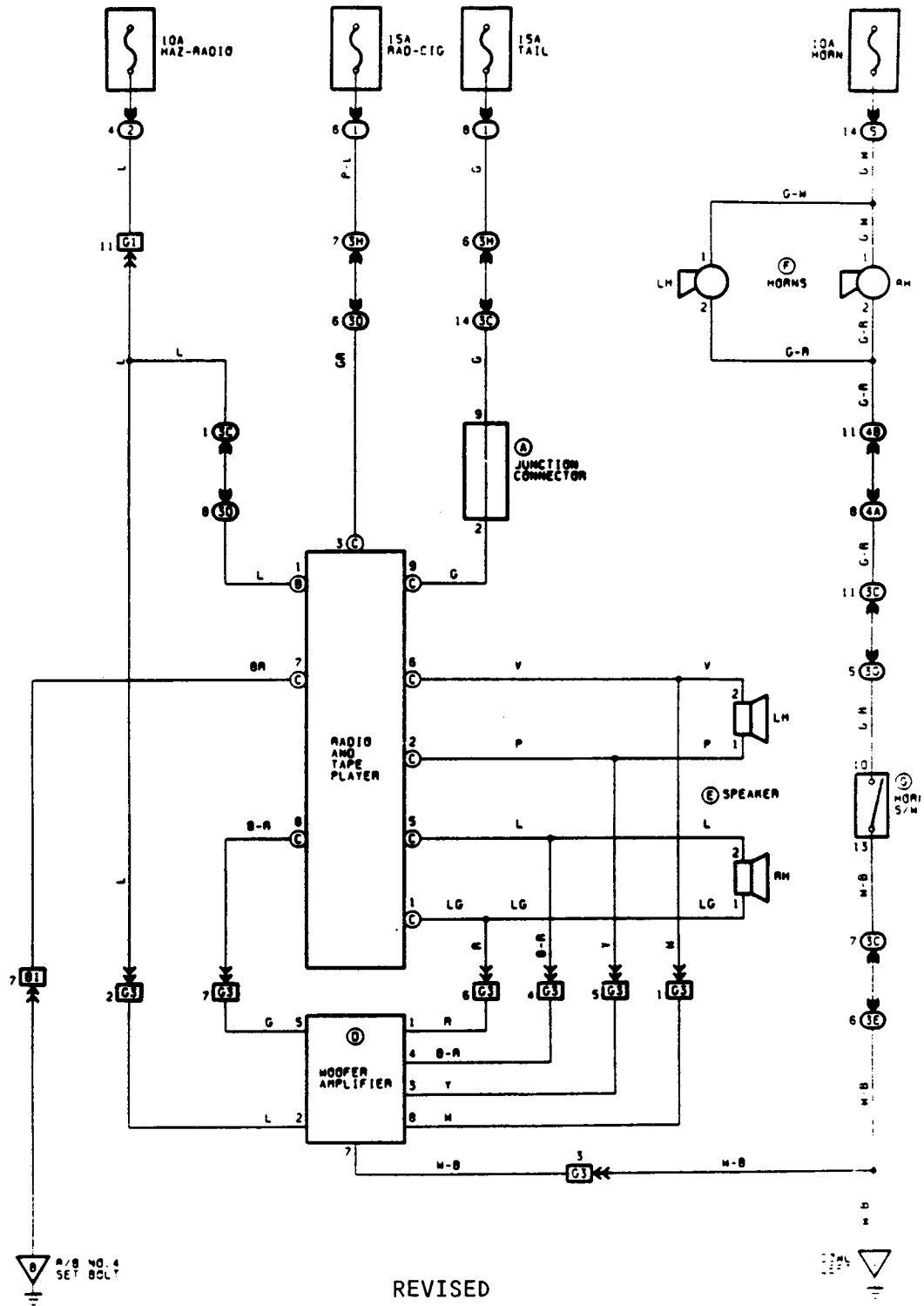
- 1) '86 MR2 Repair Manual - electrical wiring diagram #5, section #7 and 8.
- 2) '86 MR2 electrical wiring diagram manual, illustration #25, page #64.

The revised electrical wiring diagram (pub. no. EWD004U) has the corrected wire color code designation.

1986 MR2 ELECTRICAL WIRING DIAGRAM CONNECTIONS (Cont'd)

1986 MR2 Pub. No. EW0004U

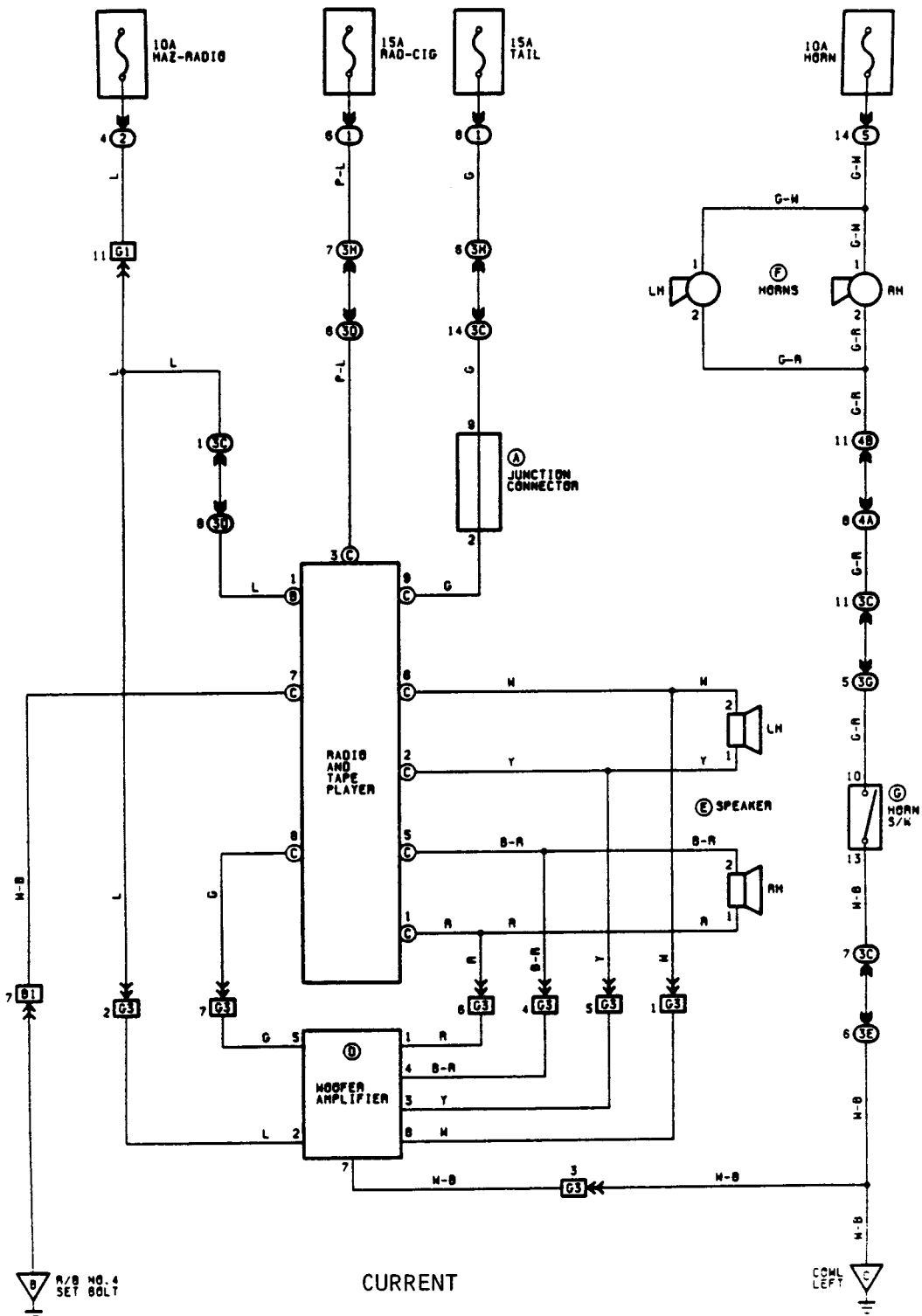
25 RADIO AND HORNS * Revised Sections are Indicated



REVISED

1986 MR2 ELECTRICAL WIRING DIAGRAM CONNECTIONS (Cont'd)

25  RADIO AND HORNS



- 64 -