

TOYOTA

SERVICE BULLETIN

TOYOTA MOTOR SALES, U.S.A., INC.

VOLUME

10

REFERENCE	<u>BODY</u>
NUMBER	<u>017 REVISED</u>
DATE	<u>12-15-89</u>
MODEL	<u>ALL MODELS</u>

Page 1 of 8

SEAT BELT EXTENDER (1982 TO 1990 MODEL YEARS)

A special procedure for customers who cannot fasten the original seat belt due to the length of the seat belt is now available. Customers can now order seat belt extenders at no cost through their local Toyota dealer.

The extender is available in black only and the lengths of 6", 9", 12", 15" and 18".

Customers will be informed of the seat belt extender availability with subsequent printing of the Toyota Owner's Manual included in each 1987 or later vehicle. (See page 8 for text of Owner's Manual).

The customer will be required to visit a Toyota Dealership to have the required measurements made and complete the application form. The completed application form will be forwarded to the TMS Customer Relations Department to order the seat belt extender. (Additional application forms are available through Region/Private Distributor Customer Relations Department.)

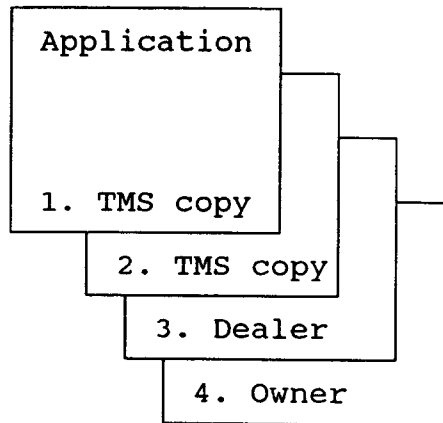
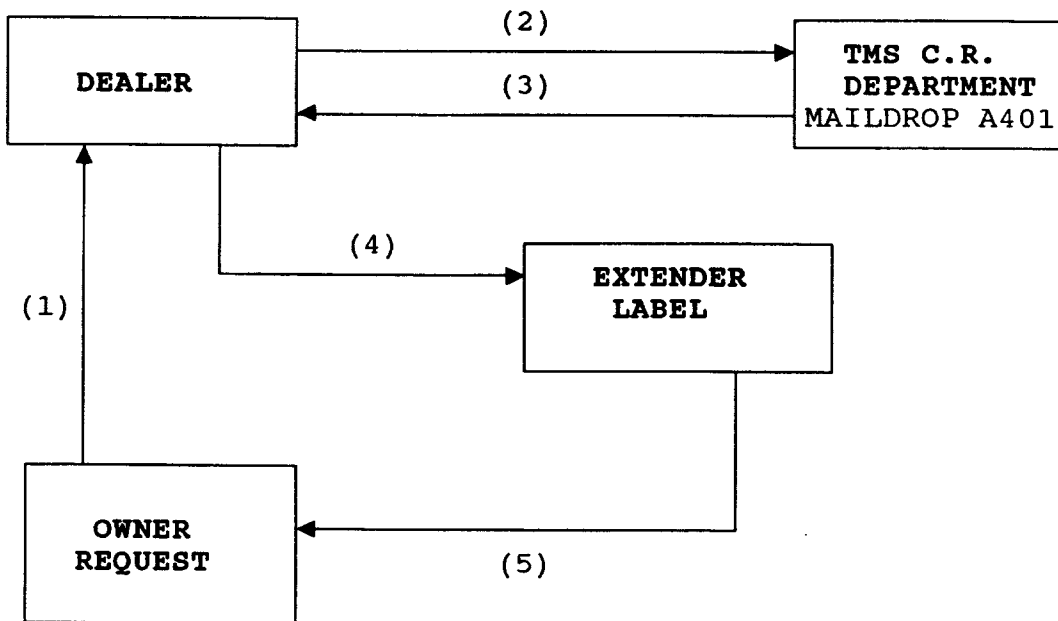
- The application must be filled out completely and signed by the customer in order for TMS/Customer Relations dept. to process and ensure timely delivery of extender.

Attached for your information are the following guide and examples:

- Flow Chart (Page 2)
- Seat Belt Extender Application/Part Number Chart (Pages 3-6)
- Owner Instruction Sheet (Page 7)
- Statement included in Owner's Manual (Page 8)

The appropriate seat belt extender will be shipped to Dealership Parts Department at no charge in about two weeks. The Service Department should complete the affixed Seat Belt Extender Label and review the owner instruction sheet with the customer.

SEAT BELT EXTENDER (CONT'D)



- (1) Owner request to dealer.
- (2) Dealer provides "Application" to owner/acknowledges conditions. Dealer processes "Application" form to TMS/CR.
 - Dealer retains copies **3 & 4** to process delivery to owner.
- (3) TMS/CR records application form, copies 1 & 2.
 - Retain files in computer/microfilm.
 - Trigger TMS/parts to ship parts to dealer.
- (4) Dealer completes label/contacts owner.
- (5) Send extender to owner.

SEAT BELT EXTENDER (CONT'D)

To determine the proper part number, locate the "series" on the following charts. Then refer to the part number chart to find the appropriate part number for the "series" and length.

FRONT SEAT – EXTENDER APPLICATION TABLE

(EXTENDER SERIES NO.)

MODEL	TYPE	'90	'89	'88	'87	'86	'85	'84	'83	'82
Cressida	USA spec.	*1 R-2	*1 R-2	R-2	←	R-1	←	←	←	←
	Canada spec.	K-3	←	K1	←	←	←	←	←	←
Supra		R-1	←	←	←	←	←	←	/	/
Celica	L/B & Coupe	N-3	N-1	←	←	←	←	←	←	←
	Convertible	R-1	←	←	←	←	←	←	/	/
Camry	USA spec.	*1 R-2	*1 R-2	R-2	←	K-1	←	←	←	/
	Canada spec.	K-1	←	←	←	←	←	←	←	/
Corolla (2 dr)	Sedan & H/T	/	/	/	/	/	/	/	R-1	←
	Coupe	R-2	R-1	←	←	←	←	←	←	←
	Liftback	/	/	/	R-1	←	←	←	←	←
	FX	/	/	R-1	←	/	/	/	/	/
Corolla (4 dr)	Sedan	R-2	R-1	←	←	←	←	←	←	←
	Wagon	R-2	R-1	←	/	/	/	/	R-1	←
	4WD Sedan	R-2	R-1	/	/	/	/	/	/	/
	4WD Wagon	R-2	R-1	←	/	/	/	/	/	/
	TMMC prod.	R-2	R-1	/	/	/	/	/	/	/
	NUMMI prod.	R-2	R-1	/	/	/	/	/	/	/

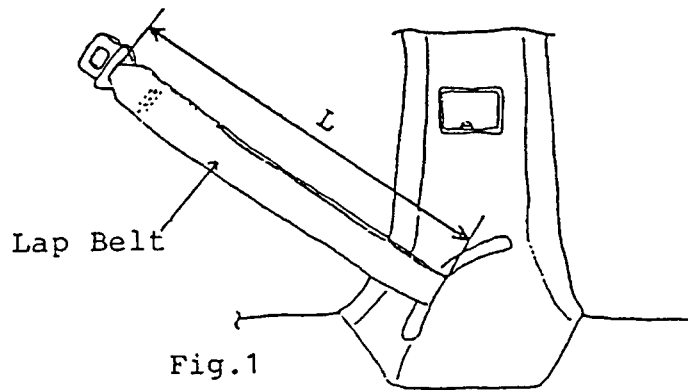
SEAT BELT EXTENDER (CONT'D)

FRONT SEAT – EXTENDER APPLICATION TABLE

(EXTENDER SERIES NO.)

MODEL	TYPE	'90	'89	'88	'87	'86	'85	'84	'83	'82
Tercel	2, 3, 5 dr SDN	R-2	R-1	R-2	←	R-1	←	←	←	←
	Wagon	/	/	R-1	←	←	←	←	←	←
Starlet		/	/	/	/	/	/	/	R-1	←
MR2		R-1	←	←	←	←	←	/	/	/
Truck *2	(& 4Runner)	R-1	←	R-2	←	R-1	←	←	←	←
Van		R-1	←	R-2	←	R-1	←	←	/	/
Land Cruiser FJ6#		R-1	←	←	←	←	←	←	←	←

*1 '89, '90 Cressida and Camry: If, when the lap belt is buckled across the driver's or passenger's lap, length "L" (see illustration) is less than 24 inches, the seat belt extender will not be available.



*2 The extender is not available for center seat belt of the pickup truck with bench seat.

SEAT BELT EXTENDER (CONT'D)

REAR SEAT – EXTENDER APPLICATION TABLE

(EXTENDER SERIES NO.)

MODEL	TYPE	'90	'89	'88	'87	'86	'85	'84	'83	'82
Cressida		K-2	←	K-1	←	←	←	←	←	←
Supra		N-1	←	*3 N-2	←	←	N-1	←	/	/
Celica		N-3	N-1	*3 N-2	←	←	N-1	←	←	←
Camry	TMC prod.	R-1	←	R-2	←	←	←	←	←	/
	TMM prod.	Q	←	/	/	/	/	/	/	/
Corolla (2 dr)	H/T	/	/	/	/	/	/	/	K-1	←
	Sedan	/	/	/	/	/	/	/	N-1	←
	Coupe	K-1	←	←	←	←	←	←	←	←
	Liftback	/	/	/	K-1	←	←	←	←	←
	FX	/	/	A	←	/	/	/	/	/
Corolla (4 dr)	Sedan	R-1	←	R-2	R-1	←	←	←	N-1	←
	Wagon	R-1	←	R-2	/	/	/	/	N-1	←
	4WD Sedan	R-1	←	/	/	/	/	/	/	/
	4WD Wagon	N-1	←	*3 N-2	/	/	/	/	/	/
	TMMC prod.	Q	←	/	/	/	/	/	/	/
	NUMMI prod.	A	*4 A	/	/	/	/	/	/	/

*3 If the vehicle is equipped with rear 3-point seat belts, use extender "N-1", not "N-2".

*4 For September 1988 and October 1988 production of NUMMI Corolla, use extender "R-1", not "A".

NOTE: The extender is not available for the center seat belt of the rear seat of all models.

SEAT BELT EXTENDER (CONT'D)

REAR SEAT – EXTENDER APPLICATION TABLE

(EXTENDER SERIES NO.)

MODEL	TYPE	'90	'89	'88	'87	'86	'85	'84	'83	'82
Tercel	2, 3, 5 dr SDN	R-1	←	←	←	←	←	←	←	←
	Wagon	/	/	R-1	←	←	←	←	←	←
	4WD Wagon	/	/	N-1	←	←	←	←	←	←
Starlet		/	/	/	/	/	/	/	R-1	←
Truck	Xtra Cab	R-1	←	/	/	/	/	/	/	/
4Runner		R-1	←	K-1	←	←	←	←	/	/
Van		R-1	←	←	←	←	←	←	/	/
Land Cruiser FJ6#		K-1	←	←	←	←	←	←	←	←

NOTE: The extender is not available for the center seat belt of the rear seat of all models.

PART NUMBER INFORMATION: (73399 – _____)

LENGTH

SERIES	6"	9"	12"	15"	18"
R-1	-12010	-12020	-12030	-12040	-12050
R-2	-12160	-12170	-12180	-12190	-12200
N-1	-12060	-12070	-12080	-12090	-12100
N-2	-12210	-12220	-12230	-12240	-12250
N-3	-20010	-20020	-20030	-20040	-20050
K-1	-12110	-12120	-12130	-12140	-12150
K-2	-22010	-22020	-22030	-22040	-22050
K-3	-22060	-22070	-22080	-22090	-22100
A	-02010	-02020	-02030	-02040	-02050
Q	-02060*	-02070*	-02080*	-02090*	-02100*

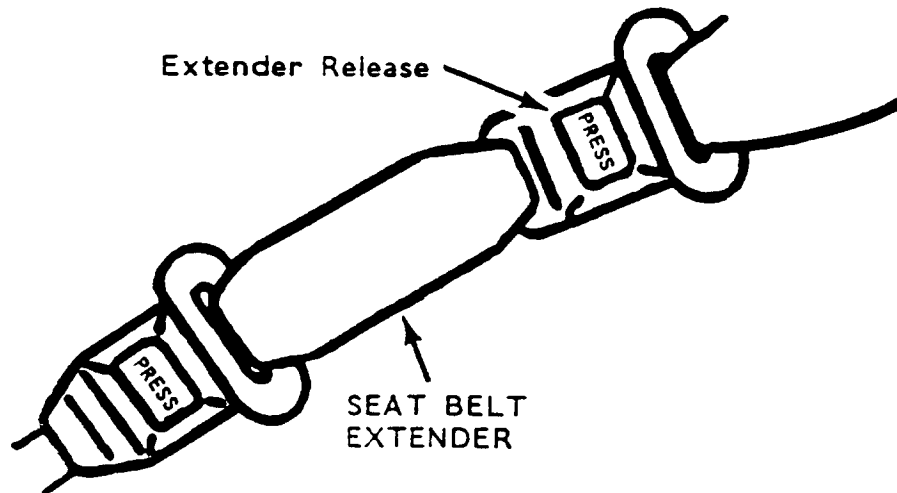
* Color Coded: B1-Grey E2-Brown D0-Maroon J1-Blue

SEAT BELT EXTENDER (CONT'D)

OWNER INSTRUCTION

Failure to follow the recommendation indicated below could result in less effectiveness of the seat belt restraint system in case of vehicle accident, causing personal injury.

1. The seat belt extender must not be used:
 - (I) By anyone other than the person for whom it was provided.
 - (II) In any vehicle or seat position specified other than the one for which it is provided.
 - (III) For a child's safety seat as it is not certified for that usage.
2. To connect the extender to the seat belt, insert the tab into the seat belt buckle so that the buckle-release buttons of the extender and the seat belt are located on the same side as shown. You will hear a click when the tab locks into the buckle. Make sure that the connection is secure and the seat belt extender is not twisted.
3. When the seat belt extender is provided for rear seat position (with automatic locking retractor) make sure the retractor is locked when in use.
4. When releasing the seat belt, press on the buckle-release button on the extender, not on the seat belt. This helps prevent damage to the vehicle interior and extender itself.



5. When not in use, remove the extender and store in the vehicle for future use.

SEAT BELT EXTENDER (CONT'D)

Owner's Manual Text:

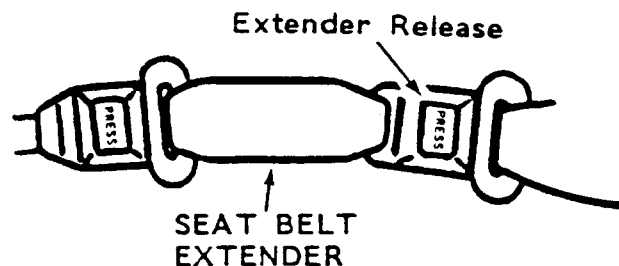
SEAT BELT EXTENDER

If your seat belt cannot be fastened securely because it is not long enough, a personalized seat belt extender is available.

Please contact your local Toyota dealer so that the dealer can order the proper required length for the extender. Bring the heaviest coat you expect to wear for proper measurement and selection of length. Additional ordering information is available at your Toyota dealer.

Precaution when using the seat belt extenders:

- i) Never use the seat belt extender if you can fasten the seat belt without it.
- ii) Remember that the extender provided for you may not be safe when set on a different vehicle, or for another person and at different seating positions than specified.
- iii) When the seat belt extender is provided for rear seat position (with automatic locking retractor) make sure the retractor is locked when in use.
- iv) **FAILURE TO FOLLOW THESE INSTRUCTIONS COULD RESULT IN LESS EFFECTIVENESS OF THE SEAT BELT RESTRAINT SYSTEM IN CASE OF VEHICLE ACCIDENT, CAUSING PERSONAL INJURY.**



Using the Seat Belt Extender:

- i) To connect the extender to the seat belt, insert the tab into the seat belt buckle so that the buckle-release buttons of the extender and the seat belt are located on the same side as shown. You will hear a click when the tab locks into the buckle.
- ii) **MAKE SURE THAT THE CONNECTION IS SECURE AND THE SEAT BELT EXTENDER IS NOT TWISTED.**
- iii) When releasing the seat belt, press on the buckle-release button on the extender, not on the seat belt. This helps prevent damage to the vehicle interior and extender itself.
- iv) When not in use, remove the extender and store in the vehicle for future use.